

**Typical performance**

- ◆ Wide Input voltage range (2:1)
- ◆ Typical Efficiency 80%
- ◆ Switching frequency 250KHz±30KHz
- ◆ Short circuit protection, Self-furbish
- ◆ Input-output isolate
- ◆ Board in-line type installs
- ◆ Sine wave output


**Technology parameter** Test condition: General Nominal Line, Tc= 25 °C, Rated resistant load unless other wise specified

**Input**

Input voltage range	International standard DC voltage	Nominal 24V	18~36Vdc
	2:1 wide range input voltage	Nominal 48V	36~72Vdc
Remote (Positive logic control)	ON	High level or vacant	3.5Vdc~+Vin
	OFF	Low level or connect ground	≤0.3Vdc
Input undervoltage protection	Lower than the low-input voltage protection, Self-furbish		

**Output**

Voltage accuracy			±5Vac
Line regulation	Nominal Load, full voltage range		±0.5%
Load regulation	20% ~ 100% rated voltage		±1%
Output waveform		Sine wave	
Output frequency		25Hz	±3Hz
Distortion factor		Nom: ±2%	Max: ±5%
Voltage adjust		Non	
Turn-on delay time		Typical value	≤200nS

**General**

Efficiency	Nominal output,full load	80%(Typical)	
Switching frequency		200KHz(Typical)	
Operating temperature		Free air	-25°C~+55°C
Storage temperature			-40°C~+105°C

Max case temperature			+90℃
Relative humidity			10%~90%
Case material			Metal case
Isolation Voltage	Input to output 500Vdc≤0.5mA/1minute; ;input to case 500Vdc≤0.5mA/1minute		
MTBF			2X10 <sup>5</sup> Hrs

### Product Nomination Method

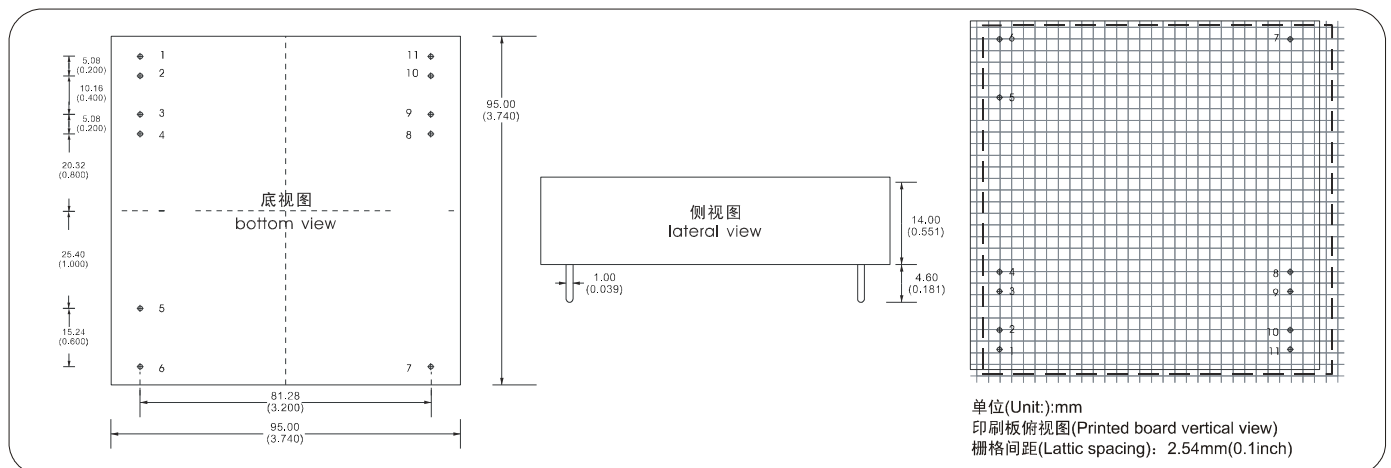
Example	W R 30 - 24 S 75					
	①	②	③	④	⑤	⑥
①	Wide range input voltage: 2:1			④	Input voltage	
②	Power convert mode (Ring generator)			⑤	S : Single output,	
③	Output Watt			⑥	Output voltage	

### Typical product tabulates

TYPE	Input voltage range	Output voltage / current					
		VO1		VO2		VO3	
		V	mA	V	mA	V	mA
WR30-24S75	24V (18~36V) 48V (36~72V)	75Vac	400				
WR30-48S75		75Vac	400				
WR40-24S75		75Vac	400				
WR40-48S75		75Vac	400				

due to space limitations ,the above list is only for some products, If other than a list of products, please contact the Company's sales department.

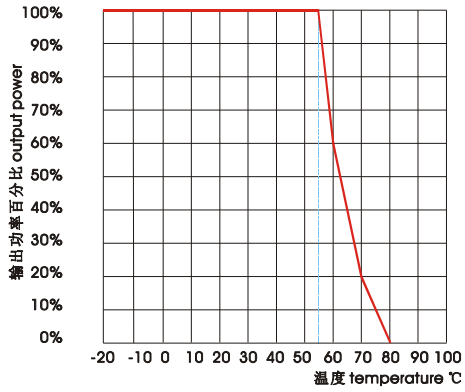
### Mechanical Data



### Mechanical Data

Packing Series No	L x W x H	
	95.00 x95.00x 14.00mm	3.740 x3.740 x0.551inch

**TYPICAL TEMPERATURE CURVE**



**Pin Assignments**

Single	1:2	3:4	5	6	7	8:9	10:11
	+Vin	-Vin	CASE	REM	NC	Vout	Vout

\*Note: The power modules such as the definition of the pin does not match with the hand book, please refer to the actual item.